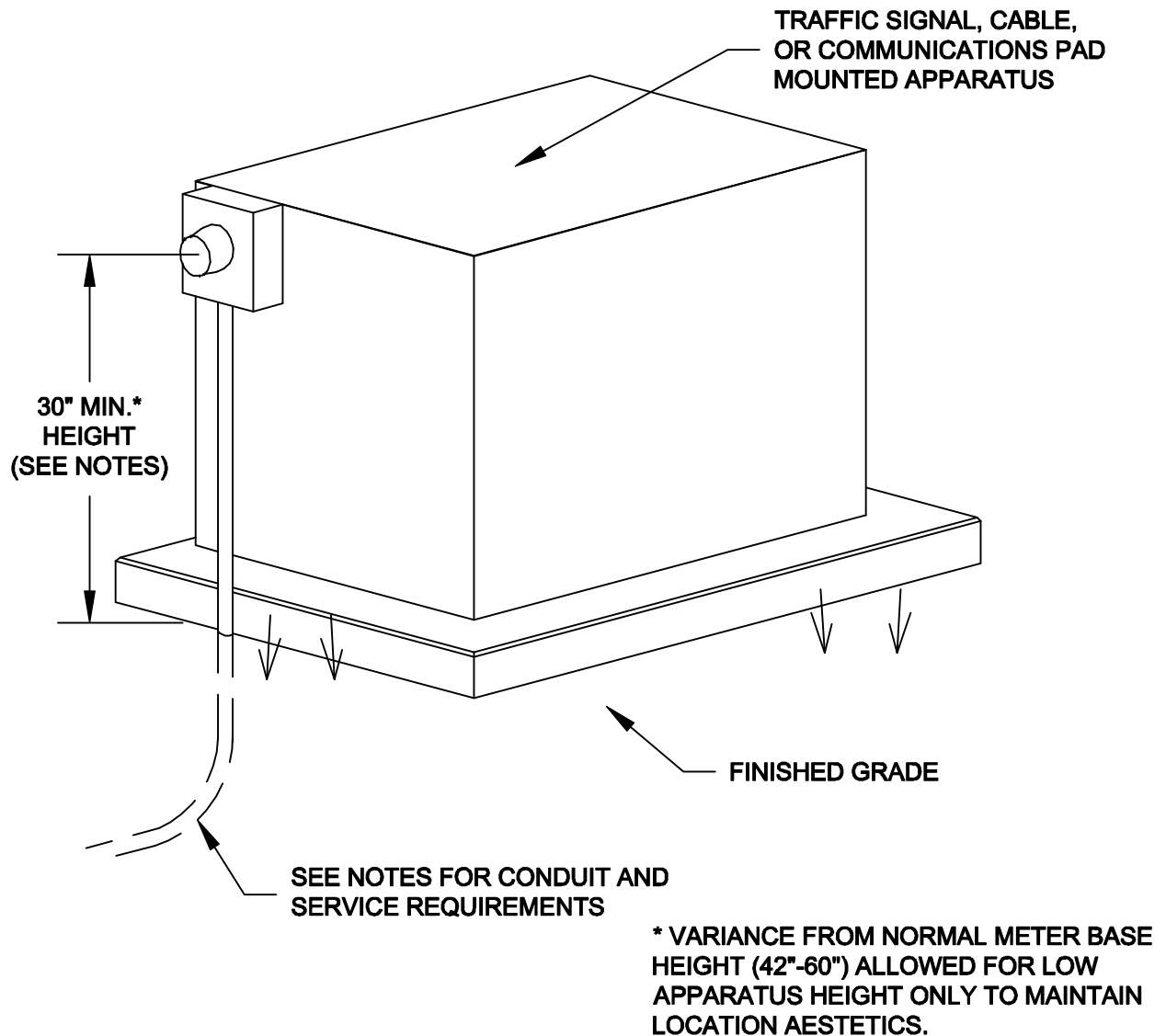


AMPLIFIER/CONTROL METER REQUIREMENT



NOTES:

1. TOP OF METER BASE SHALL BE MOUNTED FLUSH WITH TOP OF APPARATUS (OR ABOVE) TO PROVIDE A MINIMUM OF 30" FROM FINISHED GRADE TO CENTER OF METER FACE.
2. IF METER BASE MUST EXTEND ABOVE APPARATUS, IN ORDER TO ACHIEVE MINIMUM REQUIRED METER HEIGHT, UNISTRUT MAY BE REQUIRED IN ORDER TO USE ALL FASTENING HOLES OF METER BASE.
3. CUSTOMER/CONTRACTOR SHALL INSTALL CONDUIT, AT 30" MINIMUM DEPTH, FROM APPARATUS TO NORTHCENTRAL SPECIFIED POINT OF SERVICE, AND PROVIDE PROPERLY SIZED AND TYPE OF SERVICE CABLE PER NEC.
4. PLEASE REFER TO COMMERCIAL RISER DRAWING FOR STUBBING INFORMATION AND MATERIAL REQUIREMENTS.
5. NO METER BASE SHALL BE INSTALLED ON NORTHCENTRAL OWNED POLES.
6. NO UNAUTHORIZED PERSONS OR CONTRACTORS SHALL CLIMB OR INSTALL RISERS ON NORTHCENTRAL POLES OR ROUTE CABLE OR CONDUITS TO PAD MOUNTED APPARATUS WITHOUT PRIOR AUTHORIZATION.